

410 Series Electric Valve - 410

Humphrey

www.humphrey-products.com

The 410 Series Electric (Solenoid) Valves have 1/8 pipe ports.

Direct-acting single solenoid valves using balanced poppet design for lower power and higher flow.

Small size and lightweight.

Available in metric sizes. Consult factory.

Available in Multi-purpose 3-way or 4-way models.

The 410 Series Valves have several mounting options: inline, body mounting holes, mounting bracket or one piece manifold on the 410M. The 410M Manifold will accept standard inline 410 valves.

S410 Series Valves are stackable from one station to multiple stations with combinations of 310 and 410 valves.

M410 Series is stacking manifold mount. The "M" 410 Series valves can be mounted as a series of stackable valves with end plates or mounted on a solid SM Manifold.

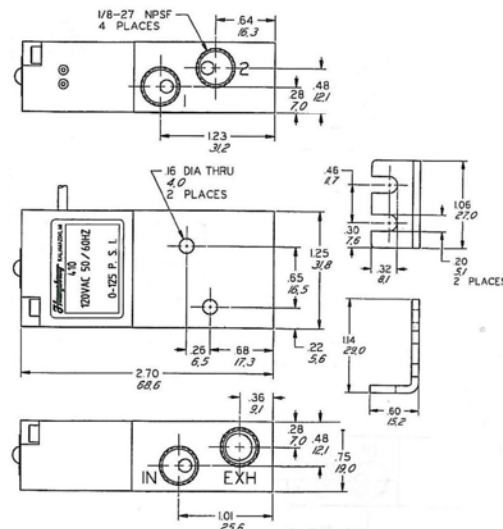
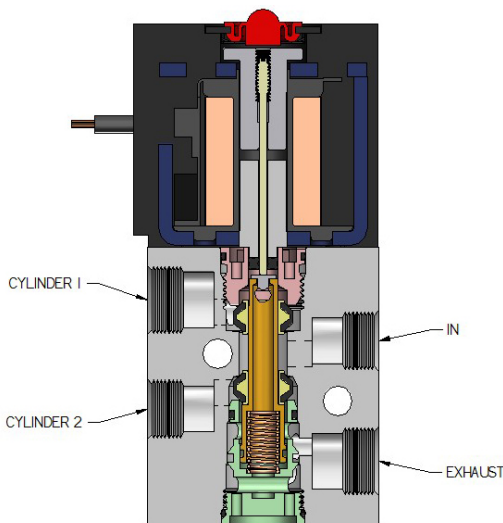
Four-way 410 Series Valves can be mounted in combination with 410 Series.

Can be used with air, vacuum, and other gases.

- Normally closed /normally open.
- Four ports: common inlet, common exhaust, cylinder port #2 is normally open; cylinder port #4 is normally closed.
- Unique exhaust port flow-control screws that independently control exhaust from NC and/or NO ports available in Model 410-70.



CFM @ 100 PSIG	10.0 CFM
Cv	0.15
Body Material	Brass, Aluminum, Stainless Steel, Acetal
Seal Material	Buna-N
Air	Yes
Inert Gas	Yes
Vacuum	yes
Pressure Range	0 - 125 PSIG
Filtration	40 Micron Recommended
Lubrication	Not Required, Factory Pre-lubed
Orifice Size	1/32 IN
Port Size	1/8 PIPE



HOW TO ORDER HUMPHREY VALVES AND ACCESSORIES

- ☞ Go to www.humphrey-products.com
- Select "Find A Distributor" and input your information to locate a distributor nearest you.
- Or, call Customer Service at 1-800-477-8707 for the name and phone number of your local distributor.

Humphrey HUMPHREY PRODUCTS ARE SOLD WORLD-WIDE THROUGH AUTHORIZED DISTRIBUTORS

HOW TO OBTAIN A 3D CAD DRAWING

- ☞ Go to www.humphrey-products.com
- Using Internet Explorer 6.0 or later for Windows, select "Online Product Guide"
- Follow the steps to choose the valve you need.
- At "Product Overview" section, select "IE CAD VIEW" to download.

Information on this spec sheet is considered to be proprietary to Humphrey. Specifications subject to change without notice. Please read WARNING and GENERAL GUIDELINES before using any Humphrey products.